



Power Distribution / Monitoring Panel

UL Type MCCPR

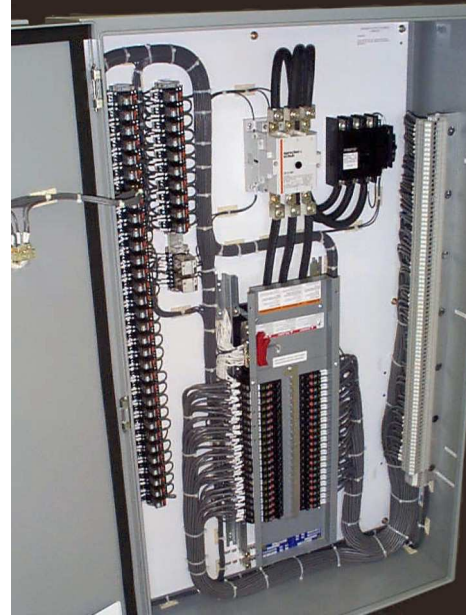
Product Specifications

Description: Ambient Actuated Power Distribution/Monitoring Panel.

Panel Includes: Main breaker, contactor, panel board, and EPD circuit breakers.

Monitoring Provides:

1. Relay for each circuit breaker to monitor voltage.
2. Common alarm light and relay output with alarm acknowledge button.
3. Hand-off-auto switch, "power available" light, and "heaters on" light.
4. Optional gutter ice sensor, snow and ice melt control, and remote control unit.



Available Sizes

Circuits/Voltage		Catalog Number
12 ckt	120V	MCCPR-12-3100MB2.1-12BF.1-130BE.12-PS512
	208V	MCCPR-12-3100MB2.1-24BF.1-230BE.12-PS512
18 ckt	120V	MCCPR-18-3100MB2.1-24BF.1-130BE.18-PS512
	208V	MCCPR-18-3150MB2.1-42BF.1-230BE.18-PS612
24 ckt	120V	MCCPR-24-3150MB2.1-30BF.1-130BE.24-PS512
	208V	MCCPR-24-3225MB2.1-54BF.1-230BE.24-PS612
30 ckt	120V	MCCPR-30-3150MB2.1-30BF.1-130BE.30-PS512
36 ckt	120V	MCCPR-36-3225MB2.1-42BF.1-130BE.36-PS612
42 ckt	120V	MCCPR-42-3225MB2.1-42BF.1-130BE.42-PS612

Catalog Number Information Breakdown

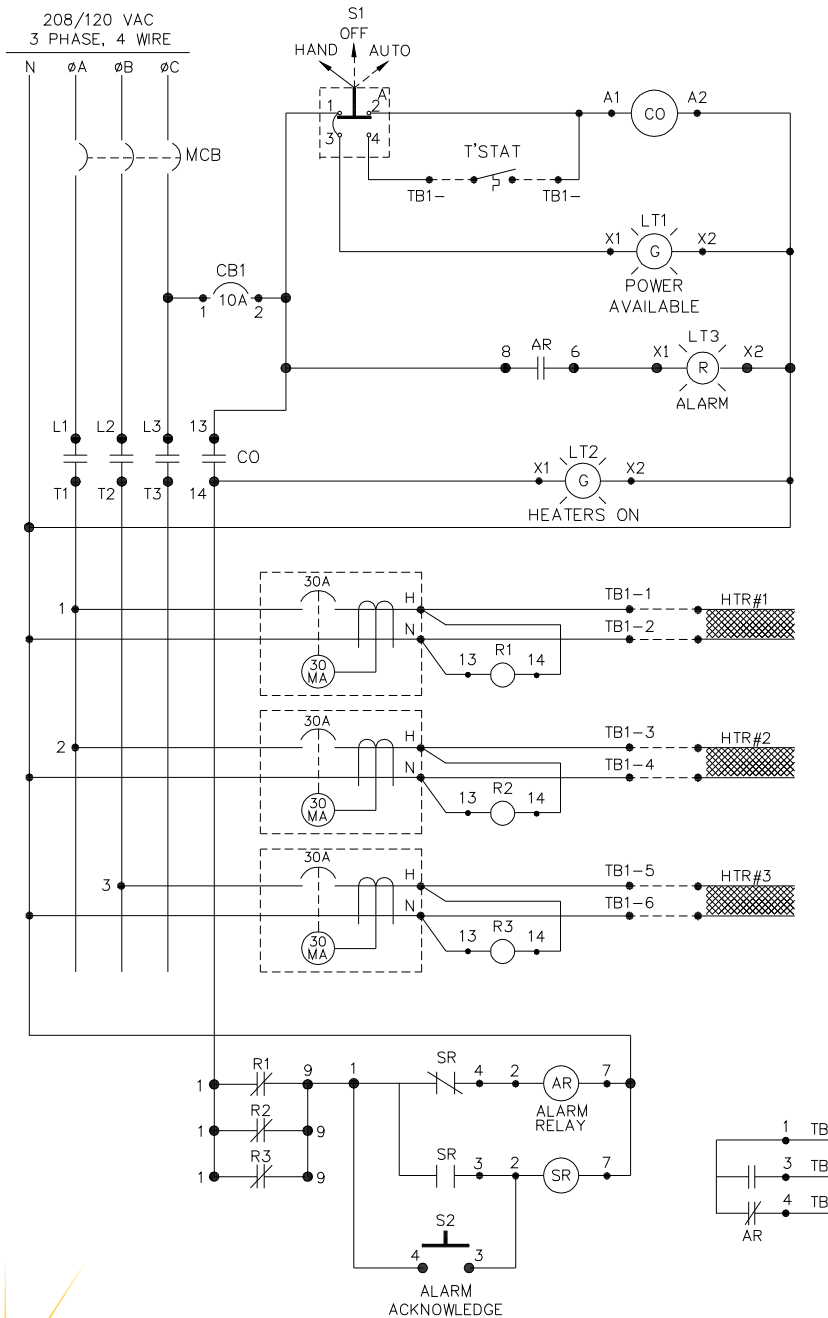
Example: MCCPR-12-3100MB2.1-12BF.1-130BE.12-PS512

Panel Type	Ckt s	Main Breaker Phase/Amp/Volt/Qty	Breaker Frame	Circuit Breaker Phase/Amp/Qty	Size of Box Painted Steel/Dim
MCCPR	12	3 100 MB2.1	12BF.1	1 30 BE.12	PS <u>5</u> 12 (48x36x12 in.)
					PS <u>6</u> 12 (60x36x12 in.)

Additional Options

Add to Cat. No.	Description
-SH	Space Heater, 200W at 120VAC, Ordinary Locations
-FSK12	Floor Stand Kit, 12" High X 12" Deep, Painted Steel
-LTR	Interior Light and Receptacle 120VAC

Schematic:



Summit Ice Melt Systems, Inc.
 2911-Lake Forest Road (PO Box 6928)
 Tahoe City, CA 96145
 530-583-8888
 info@summiticemelt.com summiticemelt.com